



# O/E/N 84H

## HIGH CURRENT RELAY

### FEATURES

- Limiting continuous current upto 200A
- Enclosure IP67
- Dual contacts
- Screw type termination for contacts
- Shrouded coil terminals

### APPLICATION

- Radiator cooling fan
- Oil pump
- Engine pre-heating
- Exhaust control
- Fuel pre heating
- Braking system
- Battery disconnection
- Starter motor

### TECHNICAL DATA FOR CONTACT SIDE :

| Areas of Application                      | Resistive / Inductive / Capacitive Load |
|---|---|
| Contact Configuration                     | : 1 Form A (1 NO)                       |
| Contact Material                          | : Silver Nickel / Tungsten*             |
| Contact Rating at 23°C - 13.5 VDC         | : 200A                                  |
| 24 VDC                                    | : 100A                                  |
| Electrical Life in No. of Operations Min. | : $1 \times 10^5$                       |
| Mechanical Life in No. of Operations Min. | : $1 \times 10^6$                       |
| Contact Voltage Drop at 10 A (Max.)       | : 25mV                                  |
| Continuous Carrying Current               |   |
| @ 23C Ambient temperature                 | : 200A for 5.5 Hrs.                     |
| Maximum Switching Current                 |   |
| @ 13.5 VDC For 5 Sec.                     | : 700 A                                 |

\*Dual contact with tungsten pre-contact / Silver Nickel main contact

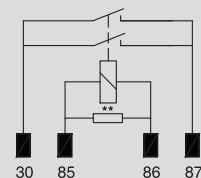
### GENERAL DATA FOR COIL SIDE

|                    |                          |
|--------------------|--------------------------|
| Nominal Coil Power | : 3.60W (Approx)         |
| Operate Time       | : 15 milli Seconds (Typ) |
| Release Time       | : 15 milli Seconds (Typ) |

### OPERATING CONDITIONS

|                       |  |
|-----------------------|--|
| Ambient Temperature   | : -40°C to +100°C                              |
| Dielectric Strength   |  |
| Between open contacts | : 500 VRMS                                     |
| Insulation Resistance | : 100 MegaOhms Min. at 500 VDC, 25°C RH 50     |
| Vibration Resistance  | : 10-500Hz, 10g                                |
|                       | (Change in switching state not more than 10µS) |
| Shock Resistance      | : 10g, 6mS                                     |
|                       | (Change in switching state not more than 10µS) |
| Weight                | : 95 gms Max.                                  |

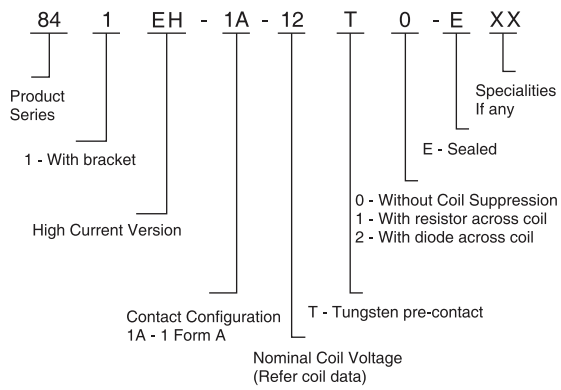
### WIRING DIAGRAM



1 Form A

\*\* Parallel resistor or Diode Optional

## HOW TO ORDER

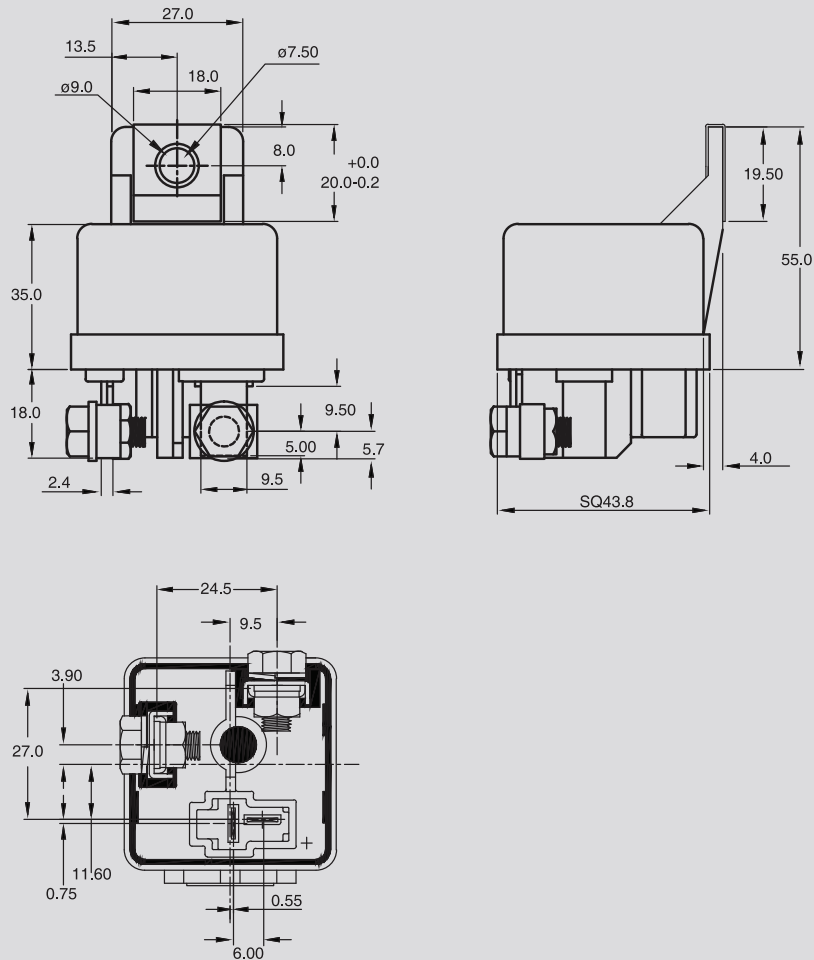


## COIL DATA

| Nominal Voltage<br>V DC | ***Pick Up Voltage<br>V DC (Max) | Drop-Out Voltage<br>V DC (Min) | Coil Resistance<br>Ohms $\pm 10\%$ |
|-------------------------|----------------------------------|--------------------------------|------------------------------------|
| 12                      | 9.6                              | 1.5                            | 40                                 |
| 24                      | 19.2                             | 3                              | 160                                |

\*\*\*Lower pick-up voltages available on request

## DIMENSIONS



## AVAILABLE ON REQUEST

- For custom solutions consult factory