



O/E/N 53H

HEAVY DUTY POWER RELAY

FEATURES

- High performance
- High voltage switching
- 9.5mm Flat contact terminals
- PCB version available

APPLICATION

- Electric vehicles
- Battery chargers

TECHNICAL DATA FOR CONTACT SIDE :

Areas of Application	Resistive / Inductive / Capacitive Load
Contact Configuration	: 1 Form A (1 NO)
Contact Material	: Silver Alloy
Contact Rating at 23°C - 60 VDC	: 40A
72 VDC	: 25A
110 VDC	: 10A
145 VDC	: 5A
Electrical Life in No. of Operations Min.	: 1×10^5
Mechanical Life in No. of Operations Min.	: 1×10^6
Contact Voltage drop at 10 A (Max.)	: 50mV
Maximum Switching Current	
@ 12.8 VDC For 3 Sec.	: 150A

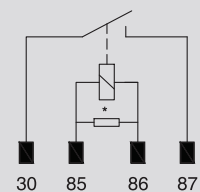
GENERAL DATA FOR COIL SIDE

Nominal Coil Power	: 1.92W (Approx)
Operate Time	: 15 milli Seconds (Typ)
Release Time	: 15 milli Seconds (Typ)

OPERATING CONDITIONS

Ambient Temperature	: -40°C to +85°C
Maximum Temperature	: 155°C
Dielectric Strength	
Between open contacts	: 500 VRMS
Between coil & contact	: 750 VRMS
Insulation Resistance	: 100 MegaOhms Min. at 500 VDC, 25°C RH 50
Vibration Resistance	: 10-50Hz, 4.4g (Change in switching state not more than 10µS)
Shock Resistance	: 30g, 8mS (Change in switching state not more than 10µS)
Weight	: 65 gms Max.

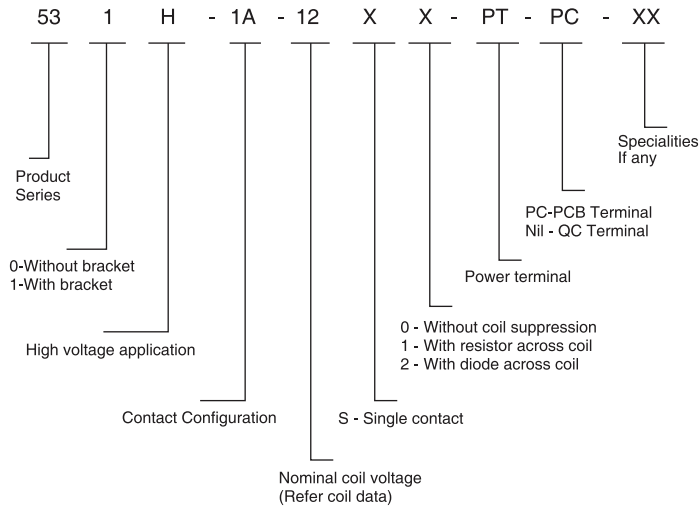
WIRING DIAGRAM



1 Form A

* Parallel resistor or Diode Optional

HOW TO ORDER



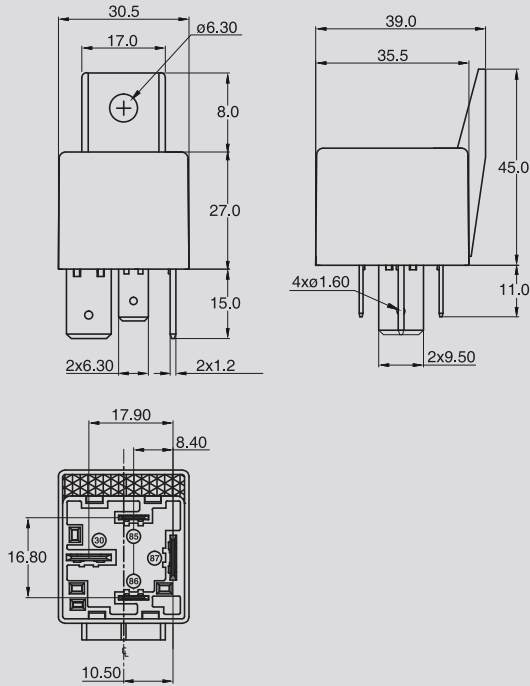
COIL DATA

Nominal Voltage V DC	**Pick Up Voltage V DC (Max)	Drop- Out Voltage V DC (Min)	Coil Resistance Ohms $\pm 10\%$
6	4.0	0.6	20
9	6.0	0.9	45
12	8.0	1.2	75
18	12.0	1.8	165
24	16.0	2.4	250
36	24.0	3.6	650
48	32.0	4.8	1100
110	73.2	11	5500

**Lower pick-up voltages available on request

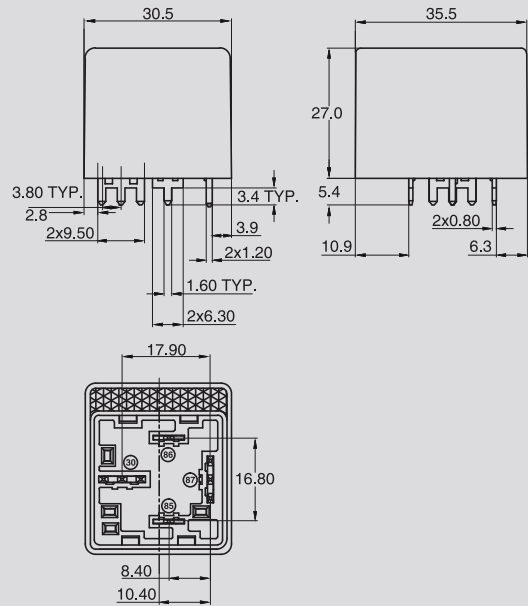
DIMENSIONS

RELAY WITH QUICK CONNECT TERMINALS

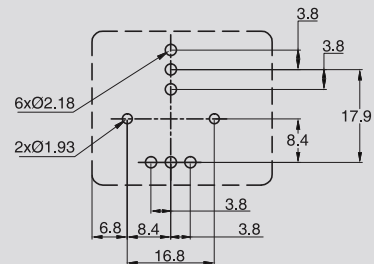


AVAILABLE ON REQUEST

RELAY WITH PCB TERMINAL



DRILLING PATTERN



- For custom solutions consult factory