

O/E/N 45

AUTOMOTIVE PCB RELAY

FEATURES

- 25A motor lock load
- Single and twin Version available
- Small relay

APPLICATION

- Power window
- Central door lock
- Seat control
- Mirror adjustment
- Wiper control
- Lamp control

TECHNICAL DATA FOR CONTACT SIDE :

Areas of Application	Resistive / Inductive Load
Contact Configuration	: 1 Form A (1 NO), 1 Form C (1 CO)
Contact Material	: Silver Alloy
Contact Rating at 23°C - 13.5VDC	: 20A/10A
Electrical Life in No. of Operations Min.	: 1×10^5
Mechanical Life in No. of Operations Min.	: 1×10^6
Contact Voltage Drop at 10 A (Max.)	: 80mV
Maximum Switching Current @ 13.5 VDC for 3 Sec	: 30A

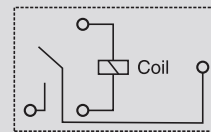
GENERAL DATA FOR COIL SIDE

Nominal Coil Power	: 0.64W (Approx)
Operate Time	: 10 milli Seconds (Typ)
Release Time	: 10 milli Seconds (Typ)

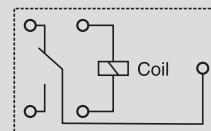
OPERATING CONDITIONS

Ambient Temperature	: -45°C to +85°C
Dielectric Strength	
Between open contacts	: 500 VRMS
Insulation Resistance	: 100 MegaOhms Min. at 500 VDC, 25°C RH 50
Vibration Resistance	: 10 - 500Hz, 5g (Change in switching state not more than 10µS)
Shock Resistance	: 10g, 11mS (Change in switching state not more than 10µS)
Weight	: 4.25 gms Max.

WIRING DIAGRAM

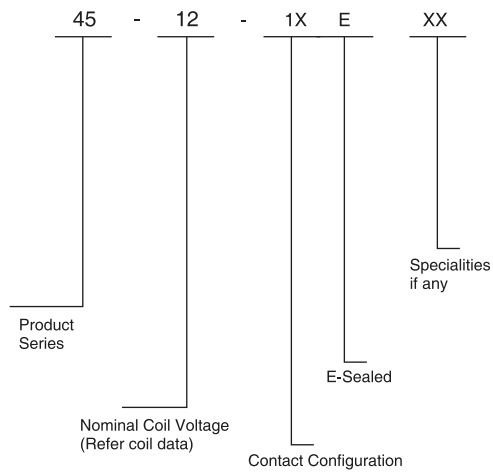


1 Form A



1 Form C

HOW TO ORDER

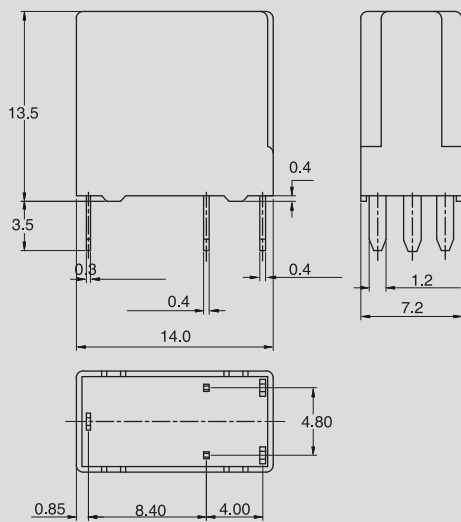


COIL DATA

Nominal Voltage V DC	*Pick Up Voltage V DC (Max)	Drop-Out Voltage V DC (Min)	Coil Resistance Ohms $\pm 10\%$
12	7.2	1.2	225

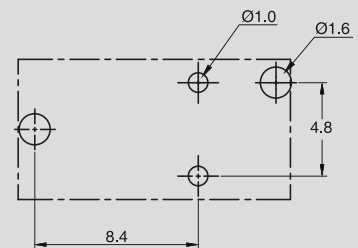
*Lower pick-up voltages available on request

DIMENSIONS

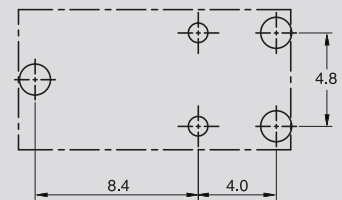


1 Form C

DRILLING PATTERN



1 Form A



1 Form C

AVAILABLE ON REQUEST

- For custom solutions consult factory