

O/E/N 93

AUTOMOTIVE POWER RELAY



FEATURES

- Miniature Power Relay
- Limiting Continuous Current 40A
- Minimal Weight
- IP67 Sealed

APPLICATION

- Power Distribution Box
- Blower Fan
- Cooling Fan
- Fuel Pump
- Glow Plug
- Start Stop

TECHNICAL DATA FOR CONTACT SIDE:

Areas of Application	: Resistive / Inductive Load		
Contact Configuration	: 1 Form A (1 NO)		
Contact Material	: Silver Alloy		
Contact Rating at 23°C- 13.5VDC	: 40A		
Electrical Life in No.of Operations Min.	Resistive Load	Inductive Load	Lamp Load
	40A Make, 40A Break	60A Make, 35A Break	200A Make, 20A Break
	>1 x 10 ⁵	>1 x 10 ⁵	>1 x 10 ⁵
Mechanical Life in No.of Operations Min.	: 2 x 10 ⁶		
Contact Voltage Drop at 10 A (Max.)	: 30mV		
Maximum Switching Current	: 250A		
@ 13.5 VDC for 30 msec	: 250A		

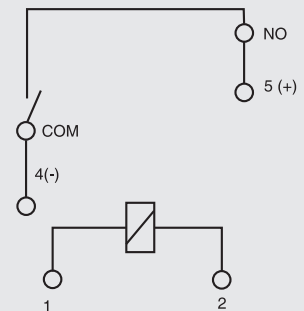
GENERAL DATA FOR COIL SIDE

Nominal Coil Power	: 0.818 (Approx)
Operate Time	: 10 milli Seconds (Typ)
Release Time	: 5 milli Seconds (Typ)

OPERATING CONDITIONS

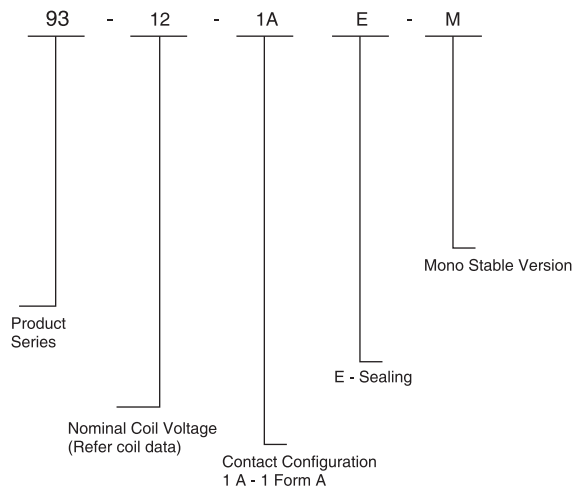
Ambient Temperature	: -40°C to +85° C
Dielectric Strength	
Between open contacts	: 500 VRMS
Insulation Resistance	: 100 Mega Ohms Min. at 500 VDC, 25°C RH 50
Vibration Resistance	: 30-440Hz, 196m/s ²
Weight	: 11 gms Max.

WIRING DIAGRAM



1 Form A

HOW TO ORDER

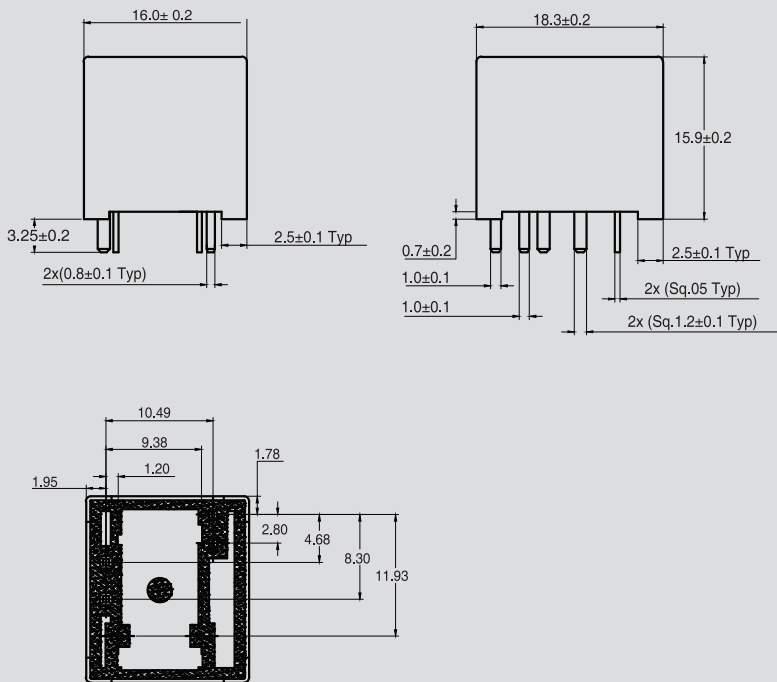


COIL DATA

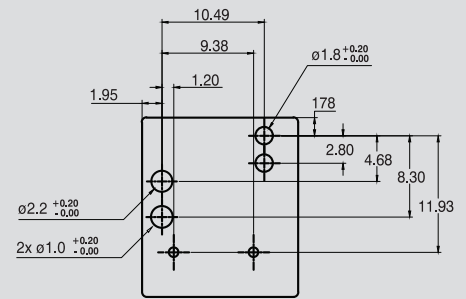
Nominal Coil Voltage VDC	**Pick up Voltage VDC(Max)	Drop Out Voltage VDC(Min)	Coil Resistance Ohms $\pm 10\%$
12	8.0	1.5	176

**Lower Pick- up voltages available on request

DIMENSIONS



DRILLING PATTERN



(Bottom view)

AVAILABLE ON REQUEST

• For custom solutions consult factory