

O/E/N 87

ICE CUBE STYLE INDUSTRIAL RELAY



- Available in 2 Pole 12A, 3 Pole 10A & 4 Pole 6A Versions
- Mechanical Flag Indication
- Lockable Test Button
- LED & Free Wheeling Diode across Coil
- Compact High Performance
- Din Rail Mounting Sockets Available
- Comply to IEC 60255-27

SPECIFICATION

Contact Arrangement	: 2 Form C, 3 Form C 4 Form C
Contact Material	: Silver Alloy
Contact Rating	
Rated Voltage	: 250 VAC/ 28 VDC
Max Switching Voltage	: 250 VAC/ 220 VDC
Max. Continuous Current at 250 VAC/ 28 VDC	
2 Form C/ CK	: 6A, 12A
3 Form C	: 10A
4 Form C	: 6A
Max. Power Rating	
2 Form C/2 Form C(K)	: 1500 VA/3000VA
3 Form C	: 2500 VAC
4 Form C	: 1500 VA
Life Expectancy	
Electrical	: 10 ⁶ Operations
Mechanical	: 10 ⁷ Operations
Contact Resistance(Initial)	: 50 milli Ohms
Dielectric Strength	
Between Adjacent Contacts:	2000 VRMS
Between Contact & Coil	: 2500 VRMS
Between Open Contacts	: 1200 VRMS
Insulation Resistance	: 100 Mega Ohms at 500 VDC, 25°C, RH50
Operate time at Nominal Voltage	: 15 milli. sec.(Typ)
Release Time at Nominal Voltage	: 10 milli. sec.(Typ)
Ambient Temperature	: -40°C to +70°C
Weight	: 30 gms(approx)

Typical Applications

Industrial Controls, Office Automation, PLCs, Timers etc.
All dimensions are in mm. Specification subject to change without notice. Tolerance unless otherwise specified is ± 10%.

COIL DATA

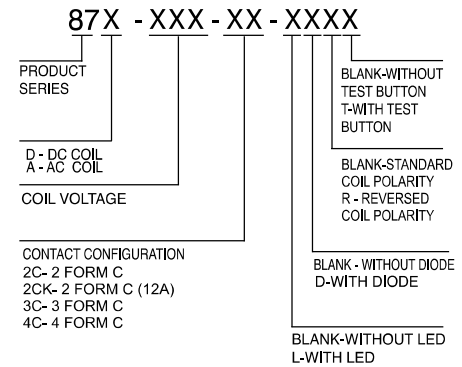
Nominal Coil Voltage	DC			
	Coil Res. (+/-) 10%	Must Operate Voltage (VDC)	Must Release Voltage (VDC)	Rated coil Power (mW)
6	48	4.8	0.6	750
12	192	9.6	1.2	750
24	777	19.2	2.4	741
48	3072	38.4	4.8	750
110	16133 ⁽¹⁾	88.0	11.0	750
220	40000 ⁽¹⁾	176	22.0	1210

AC

VAC	Ohms	VAC	VAC	VA
12	48	9.6	3.6	1.0
24	192	19.2	7.2	1.0
48	777	38.4	14.4	1.0
110	4845 ⁽¹⁾	92.0	34.5	1.0
230	19465 ⁽¹⁾	184	69.0	1.0

(1)-Tolerance is ± 15%

HOW TO ORDER

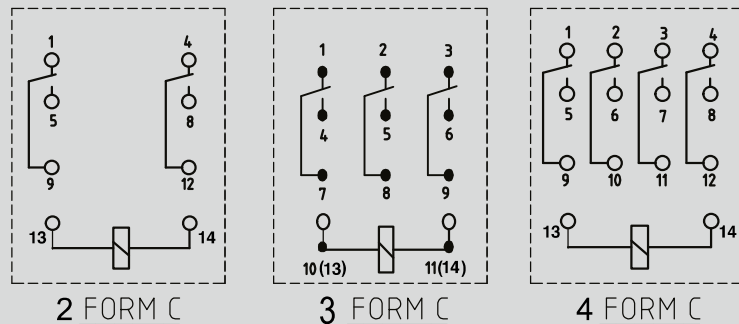


SOCKET ORDERING CODE

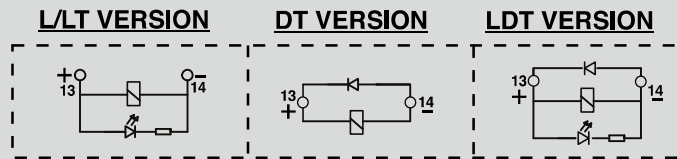
Din Rail Mounting Type

2 Form C	- 087-9900-100
2 Form C(K)	- 087-9900-200
3 Form C	- 087-9800-100
4 Form C	- 087-9700-100

WIRING DIAGRAM



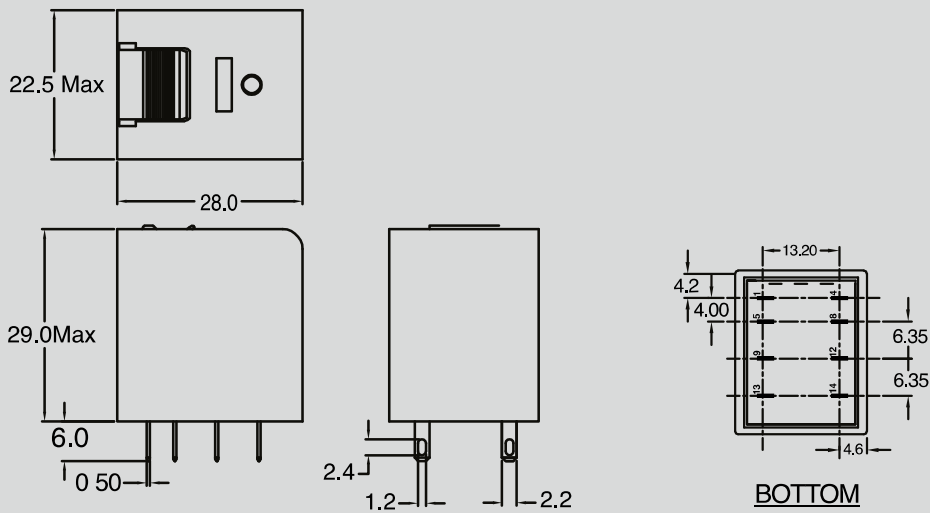
COIL CIRCUITS



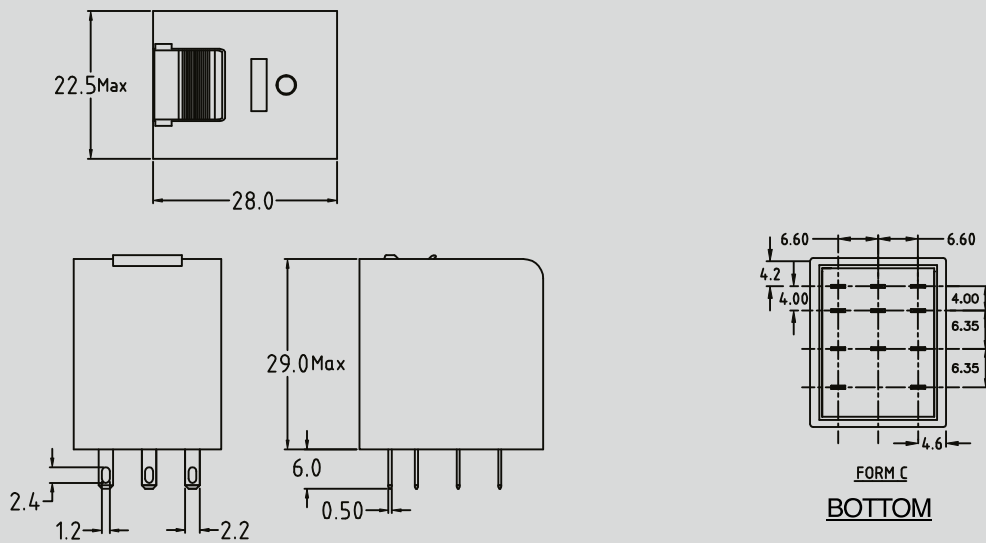
Note: Reversed coil polarity option available 13(-) and 14 (+)

DIMENSIONS

2 Pole Version Relays

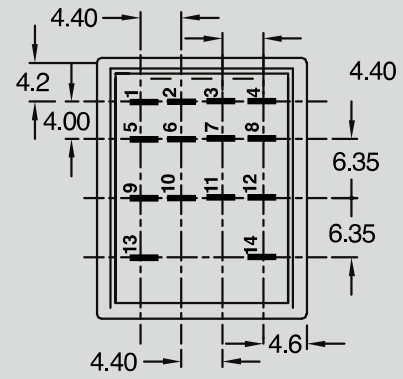
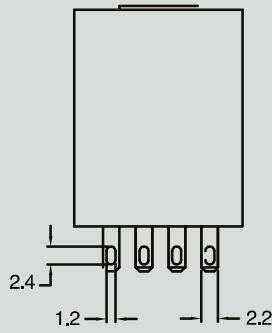
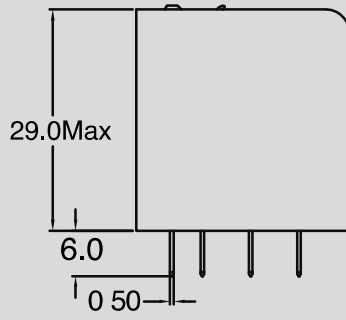
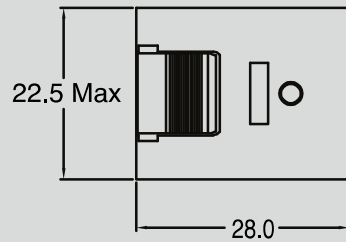


3 Pole Version Relays



DIMENSIONS

4 Pole Version Relays



BOTTOM