



O/E/N 85 MINIATURE POWER RELAYS



- Lockable Test Button (optional)
- Mechanical Indication
- LED / Free Wheeling Diode / Polarity Protection diode (available on request)
- Space saving Din Rail mounting Sockets - 16mm width
- UL Approved (E209843)
- Flange Mounting version available
- Comply to IEC 60255-5

SPECIFICATIONS

Contact Arrangement	: 1 Form C (S & K Type), 2 Form C (S & K Type)
Contact Material	: Silver Alloy
Contact Rating	
Rated Voltage	: 230 VAC/30 VDC
Max. Switching Voltage	: 440 VAC/220 VDC
Max. Continuous Current at 230 VAC/30 VDC	
1 Form C (S)	: 10 A
1 Form C (K)	: 16 A
2 Form C (S)	: 5 A
2 Form C (K)	: 8 A
Max. Power Rating	
1 Form C (S)	: 2500 VA
1 Form C (K)	: 4000 VA
2 Form C	: 2000 VA
Nominal Coil Power	: 0.48 W (approx)
Life Expectancy	
Electrical	: 10^5 operations
Mechanical	: 2×10^6 operations (For DC Relay)
	: 10^6 operations (For AC Relay)
Contact Resistance (Initial)	: 100 milli. Ohms
Dielectric Strength	
Between Contact & Coil	: 5000 VRMS
Between Open Contacts	: 1000 VRMS
Insulation Resistance	: 3000 MegaOhms at 500 VDC 25°C, RH50
Operate time at Nominal Voltage	: 15 milli sec. (Typ)
Release time at Nominal Voltage	: 15 milli sec. (Typ)
	: 20 milli sec. (With diode)
Ambient Temperature	: -40°C to +70°C
Weight	: 21 gms (approx)

Typical applications

Contact Multiplying Relays, Control Panel Machine Tools, Automation etc.

Note : In case of Relay with clamping diode, take terminal 5 as negative

All dimensions are in mm. Specifications subject to change without notice. Tolerance unless otherwise specified is ±10%.

COIL DATA

Nominal Voltage V	Pick-up Voltage V	Drop-out Voltage V	Coil Resistance Ohms ± 10%
-------------------	-------------------	--------------------	----------------------------

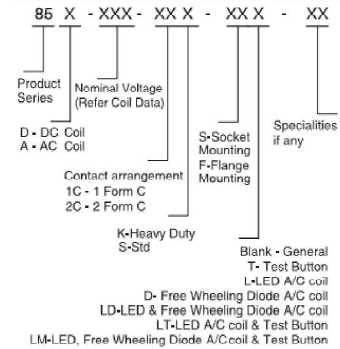
DC COIL DATA

12	9.6	1.2	300
24	19.2	2.4	1200
48	38.4	4.8	4800
110	88.0	11.0	23500
125	100.0	12.5	32500

AC COIL DATA

12	9.6	1.2	80
24	19.2	2.4	320
48	38.4	4.8	1350
110	88.0	11.0	6900
230	184.0	23.0	28000

HOW TO ORDER



Note:

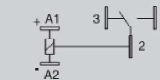
1. For relays with LED / Free Wheeling Diode across coil refer to resp. circuit / wiring diagram of relay / socket.
2. Flange mounting relays do not have optional features LED/Free Wheeling Diode/Test button.

SOCKET ORDERING CODE

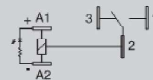
Din rail mounting type

1 Form C / 1 Form CK	85-4900-100
2 Form C	85-4900-200

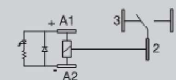
WIRING DIAGRAM



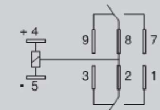
1 Form C / 1 Form CK



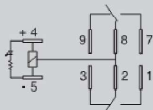
With Led Indication



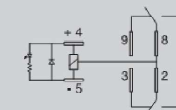
With Led Indication & Diode Across Coil



2 Form C



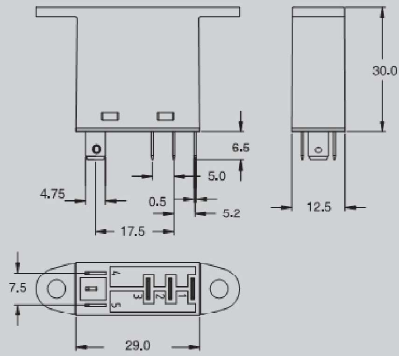
With Led Indication



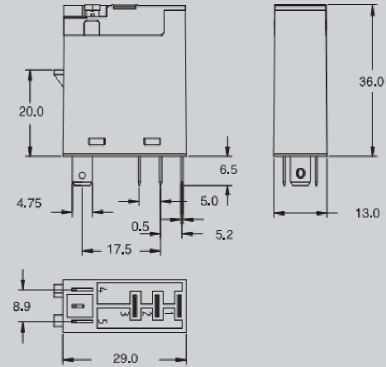
With Led Indication & Diode Across Coil

DIMENSIONS

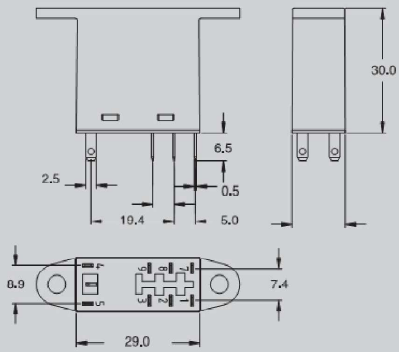
1 Form C (Flange Mounting)



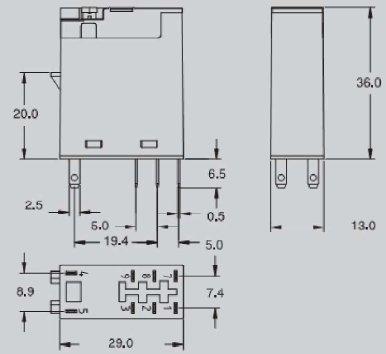
1 Form C (Socket Mounting)



2 Form C (Flange Mounting)



2 Form C (Socket Mounting)

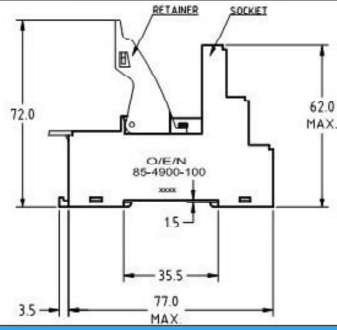


85-4900-100

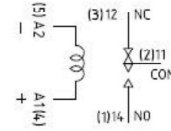


Suitable Relay Type:
Series 85

Dimensions



Wiring Diagram

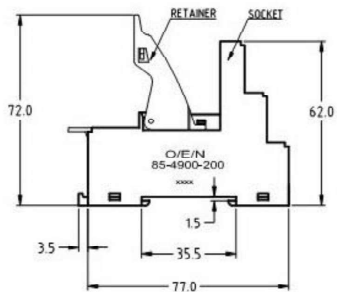


85-4900-200



Suitable Relay Type:
Series 85, 85 H

Dimensions



Wiring Diagram

