



# O/E/N 84H

## HIGH CURRENT RELAY

### FEATURES

- Limiting continuous current upto 200A
- Enclosure IP67
- Dual contacts
- Screw type termination for contacts
- Shrouded coil terminals

### APPLICATION

- Radiator cooling fan
- Oil pump
- Engine pre-heating
- Exhaust control
- Fuel pre heating
- Braking system
- Battery disconnection
- Starter motor

### TECHNICAL DATA FOR CONTACT SIDE :

Areas of Application	Resistive / Inductive / Capacitive Load
Contact Configuration	: 1 Form A (1 NO)
Contact Material	: Silver Nickel / Tungsten*
Contact Rating at 23°C - 13.5 VDC	: 200A
24 VDC	: 100A
Electrical Life in No. of Operations Min.	: $1 \times 10^5$
Mechanical Life in No. of Operations Min.	: $1 \times 10^6$
Contact Voltage Drop at 10 A (Max.)	: 25mV
Continuous Carrying Current	
@ 23C Ambient temperature	: 200A for 5.5 Hrs.
Maximum Switching Current	
@ 13.5 VDC For 5 Sec.	: 700 A

\*Dual contact with tungsten pre-contact / Silver Nickel main contact

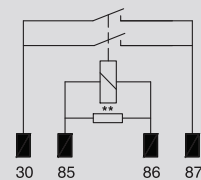
### GENERAL DATA FOR COIL SIDE

Nominal Coil Power	: 3.60W (Approx)
Operate Time	: 15 milli Seconds (Typ)
Release Time	: 15 milli Seconds (Typ)

### OPERATING CONDITIONS

Ambient Temperature	: -40°C to +100°C
Dielectric Strength	
Between open contacts	: 500 VRMS
Insulation Resistance	: 100 MegaOhms Min. at 500 VDC, 25°C RH 50
Vibration Resistance	: 10-500Hz, 10g
	(Change in switching state not more than 10µS)
Shock Resistance	: 10g, 6mS
	(Change in switching state not more than 10µS)
Weight	: 95 gms Max.

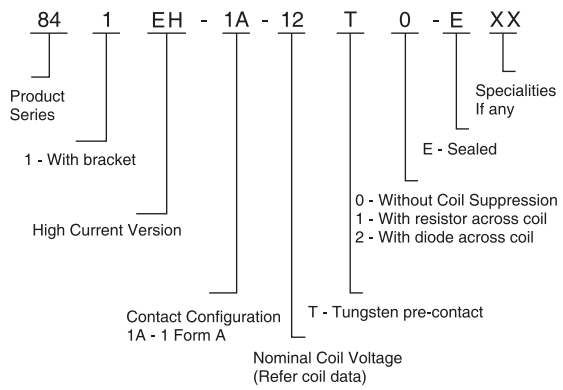
### WIRING DIAGRAM



1 Form A

\*\* Parallel resistor or Diode Optional

## HOW TO ORDER

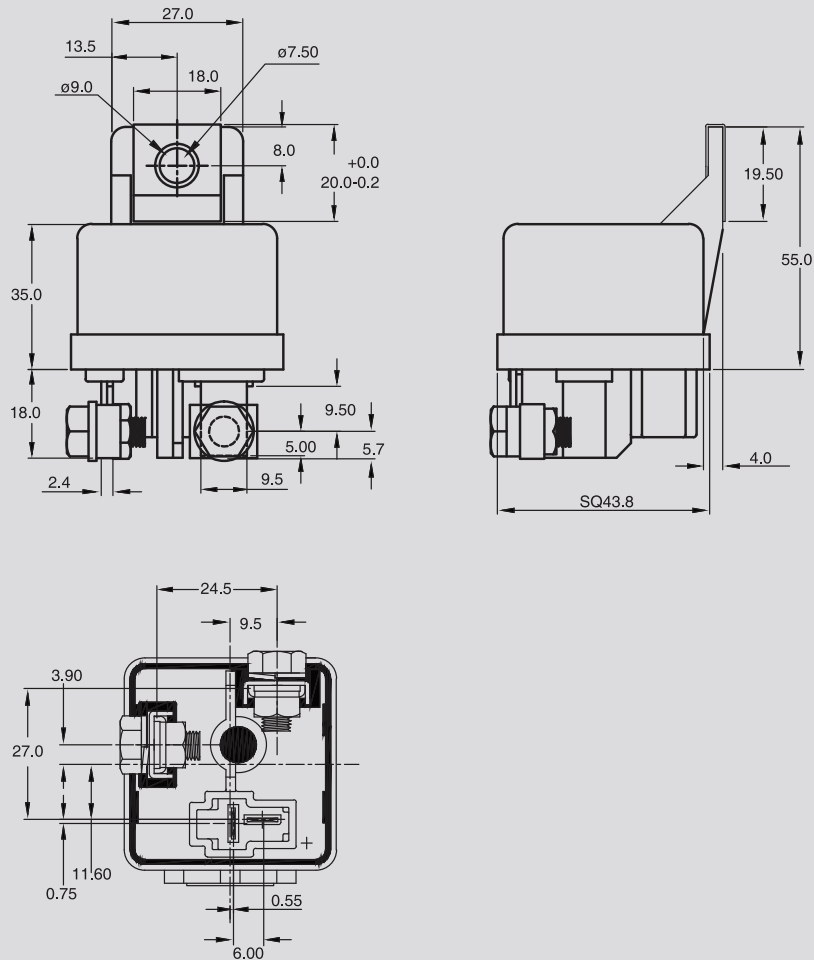


## COIL DATA

Nominal Voltage V DC	***Pick Up Voltage V DC (Max)	Drop-Out Voltage V DC (Min)	Coil Resistance Ohms $\pm 10\%$
12	9.6	1.5	40
24	19.2	3	160

\*\*\*Lower pick-up voltages available on request

## DIMENSIONS



## AVAILABLE ON REQUEST

- For custom solutions consult factory