



# O/E/N 79

## AUTOMOTIVE POWER RELAY

### FEATURES

- High performance
- Dust protected
- Universal foot print
- Medium duty

### APPLICATION

- Starter motor
- Radiator fan
- A/C Controls
- Heating elements

### TECHNICAL DATA FOR CONTACT SIDE :

<b>Model</b>	: 79
<b>Areas of Application</b>	Resistive / Inductive / Capacitive Load
Contact Configuration	: 1 Form A (1 NO), 1 Form C (1 CO)
Contact Material	: Silver Alloy
Contact Rating at 23°C - 13.5VDC	: 50A/30A
24VDC	: 25A/15A
Electrical Life in No. of Operations Min.	: $1 \times 10^5$
Mechanical Life in No. of Operations Min.	: $1 \times 10^7$
Contact Voltage Drop at 10 A (Max.)	: 30mV
Maximum Switching Current	
@ 12.8 VDC For 3 Sec.	: 120A

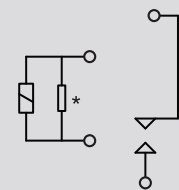
### GENERAL DATA FOR COIL SIDE

Nominal Coil Power	: 1.92W (Approx)
Operate Time	: 10 milli Seconds (Typ)
Release Time	: 7 milli Seconds (Typ)

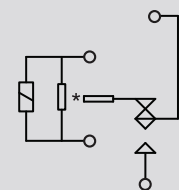
### OPERATING CONDITIONS

Ambient Temperature	: -40°C to +85°C
Maximum Temperature	: 125°C
Dielectric Strength	
Between open contacts	: 500 VRMS
Insulation Resistance	: 100 MegaOhms Min. at 500 VDC, 25°C RH 50
Vibration Resistance	: 10-500Hz, 20g (Change in switching state not more than 10μS)
Shock Resistance	: 20g, 8mS (Change in switching state not more than 10μS)
Weight	: 73 gms Max.

### WIRING DIAGRAM



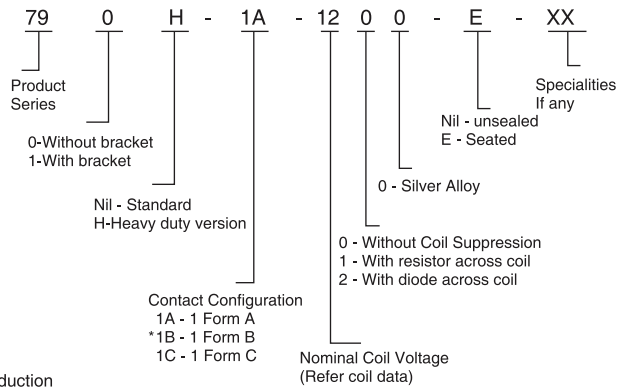
1 Form A



1 Form C

\* Parallel resistor or diode optional

## HOW TO ORDER



\*Under introduction

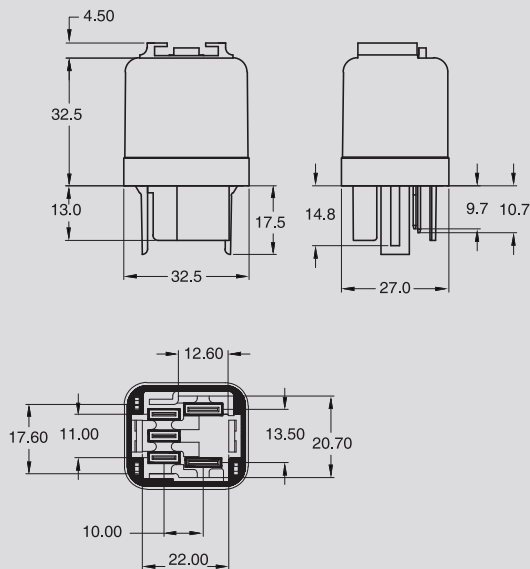
## COIL DATA

Nominal Voltage VDC	**Pick - up Voltage VDC (MAX)	Drop Out Voltage VDC (MIN)	Coil Resistance at 20 °C Ohms ± 10%
12	7.2	1.2	75
24	14.4	2.4	300

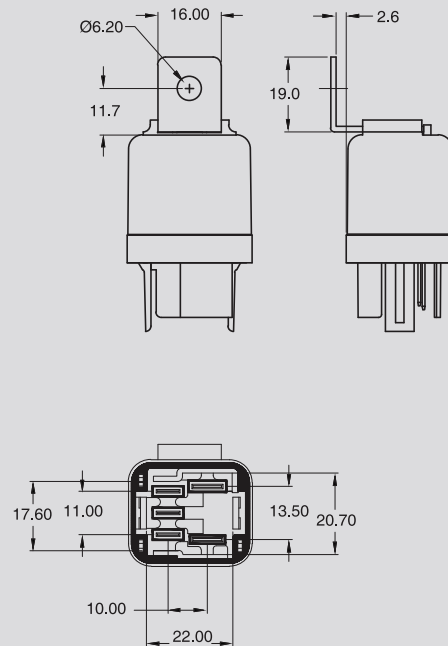
\*\*Lower pick-up voltages available on request

## DIMENSIONS

### RELAY WITHOUT BRACKET



### RELAY WITH BRACKET



## MECHANICAL DATA

### COVER RETENTION

Pull	: 20KgF
Push	: 20KgF

### TERMINAL STRENGTH

Pull	: 10KgF
Push	: 10KgF
Plug-in Force	: 12.25KgF
Removal Force	: 11.35KgF

## AVAILABLE ON REQUEST

- For other custom solutions consult factory