



O/E/N 31H

HEAVY DUTY POWER RELAY



- Heavy duty make, carry & break upto 10 A
- 2 Form C and 1 Form Z version
- LED Indication (Optional)
- Dust Protected
- Din rail mounting socket
- Comply to IEC 60255-5

SPECIFICATIONS

Contact Arrangement	: 2 Form C, 1 Form Z
Contact Material	: Silver alloy
Contact Rating	: Make, Carry & Break
Rated Voltage	: 220 VDC
Max. Switching Voltage	: 220 VDC
Max. Continuous Current at 220 VDC	
2 Form C	: 5 A
1 Form Z	: 10 A
Max. Power Rating	: 2200 W
Nominal Coil Power	: 1.1 W (approx)
Life Expectancy	
Electrical	: 10 ⁵ operations
Mechanical	: 10 ⁶ operations
Contact Resistance (Initial)	: 50 milli Ohms
Dielectric Strength	
Between Coil & Contact	: 2000 VRMS
Between Open Contacts	: 1500 VRMS
Insulation Resistance	: 500 MegaOhms at 500VDC, 25 ⁰ C, RH50
Operate time at Nominal Voltage	: 20 milli sec. (Typ)
Release time at Nominal Voltage	: 10 milli sec. (Typ)
Ambient Temperature	: -40 ⁰ C to +70 ⁰ C
Weight	: 100 gms (approx.)

Typical applications

Industrial Control, Instrumentation, Automation, Battery Chargers, Power Conditioning Equipments etc.

Note : In case of relay with clamping diode take terminal 2 as positive.

All dimensions are in mm. Specifications subject to change without notice. Tolerance unless otherwise specified is ± 10%.

COIL DATA

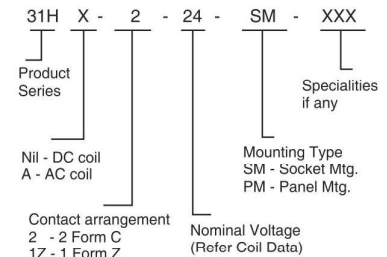
Nominal Voltage V	Pick-up Voltage V	Coil Resistance Ohms ± 10%
DC COIL DATA		
12	10	150
24	20	500
48	40	2250
115	90	10000
220	190	30000
AC COIL DATA		
24	20	70
115	90	2000
230	190	10000

Special coils available on request

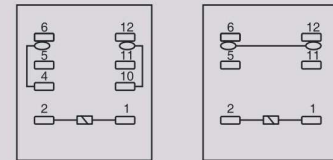
SOCKET ORDERING CODE

Din rail mounting type 31-3591-550

HOW TO ORDER



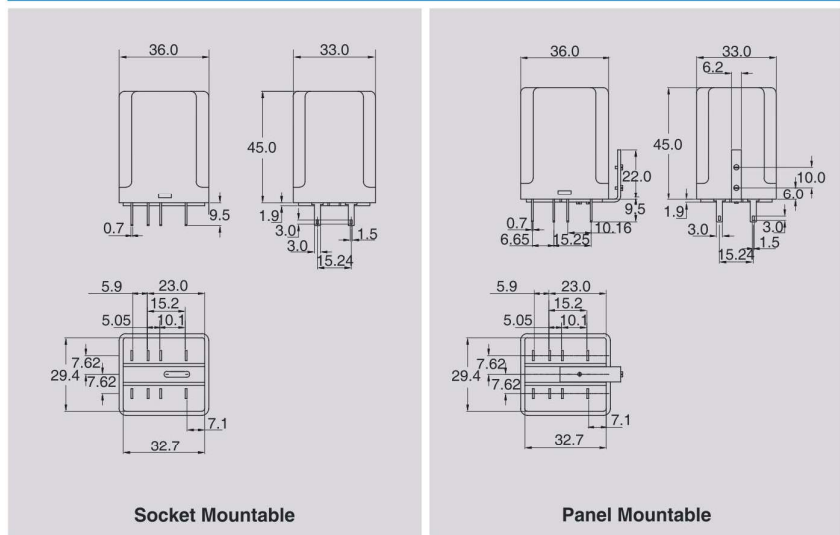
WIRING DIAGRAM



2 Form C

1 Form Z

DIMENSIONS



Socket Mountable

Panel Mountable