



# O/E/N 73

## AUTOMOTIVE MICRO POWER RELAY

### FEATURES

- High performance
- 4.8 & 6.3 mm Flat terminals
- PC Version available
- Suitable couplers available
- Optional sealing

### APPLICATION

- Head lamp control
- Starter motors
- Defogger
- Radiator fan
- A/C Controls

### TECHNICAL DATA FOR CONTACT SIDE :

Model	: 1 Form A	1 Form C	High Current
<b>Areas of Application</b>		<b>Resistive / Capacitive / Inductive Load</b>	
Contact Configuration	: 1 Form A (1 NO)	1 Form A (1 NO), 1 Form C (1 NC)	1 Form A (1 NO), 1 Form C ( 1 NC)
Contact Material	: Silver Alloy	Silver Alloy	Silver Alloy
Contact Rating at 23°C - 12 VDC	: 20A	20A/10A	35A/20A
24 VDC	: 15A	15A/10A	20A/10A
Electrical Life in No. of Operations Min.	: $1 \times 10^5$	$1 \times 10^5$	$1 \times 10^5$
Mechanical Life in No. of Operations Min.	: $1 \times 10^6$	$1 \times 10^6$	$1 \times 10^6$
Contact Voltage drop at 20 A (Max.)	: 100mV	100mV	100mV
Maximum Switching Current			
@ 12.8 VDC For 3 Sec.	: 100A	100A	100A

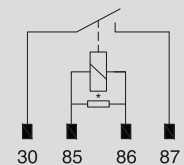
### GENERAL DATA FOR COIL SIDE

Nominal Coil Power	: 1.31W (Approx)
Operate Time	: 10 milli Seconds (Typ)
Release Time	: 7 milli Seconds (Typ)

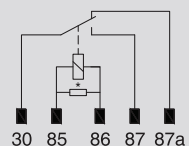
### OPERATING CONDITIONS

Ambient Temperature	: -30°C to +110°C
Maximum Temperature	: 155°C
Dielectric Strength	
Between open contacts	: 500 VRMS
Insulation Resistance	: 100 MegaOhms Min. at 500 VDC, 25°C RH 50
Vibration Resistance	: 10-500Hz, 5g (Change in switching state not more than 10μS)
Shock Resistance	: 20g, 8mS (Change in switching state not more than 10μS)
Weight	: 20 gms Max.

### WIRING DIAGRAM



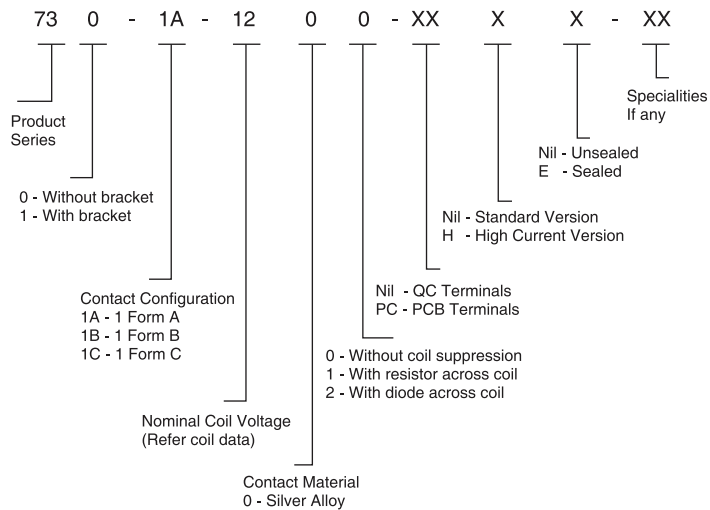
1 Form A



1 Form C

\* Parallel resistor or diode optional  
Note: For 1 Form B relays consult factory

## HOW TO ORDER



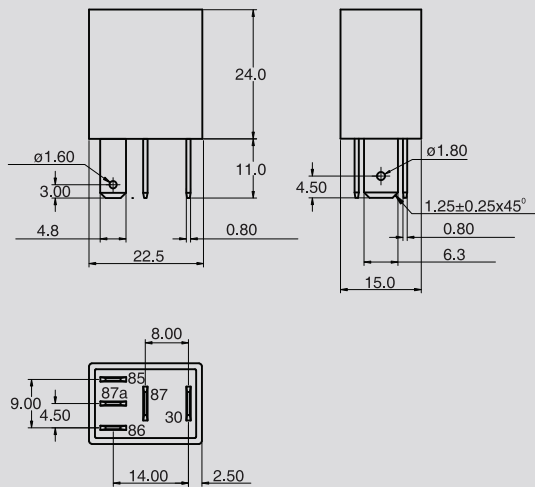
## COIL DATA

Nominal Voltage VDC	**Pick-up Voltage VDC (Max)	Drop-out Voltage VDC (Min)	Coil Resistance Ohms $\pm 10\%$
06	4.5	0.6	26
12	8.2	1.2	110
24	16	2.4	430

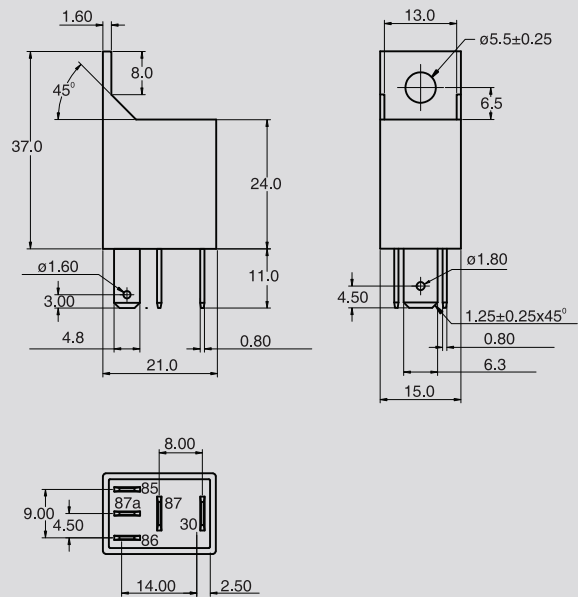
\*\*Lower pick-up voltages available on request

## DIMENSIONS

### RELAY WITHOUT BRACKET



### RELAY WITH BRACKET



## MECHANICAL DATA

### COVER RETENTION

Pull : 20KgF

Push : 20KgF

### TERMINAL STRENGTH

Pull : 10KgF

Push : 10KgF

## AVAILABLE ON REQUEST

- Cover with notches
- For other custom solutions consult factory