



# O/E/N 43

## MINIATURE POWER RELAY

- Smallest size
- 5A Switching Capacity
- 1 Form A, 1 Form C
- Creepage distance of 6.5 mm
- Sealed

### SPECIFICATIONS

Contact Arrangement	: 1 Form A, 1 Form C
Contact Material	: Silver Alloy
Contact Rating	
Rated Voltage	: 230 VAC/24 VDC
Max. Switching Voltage	: 250 VAC/30 VDC
Max. Continuous Current at 230 VAC/24 VDC	
1 Form A	: 5 A
1 Form C	: 3 A
Max. Power Rating	: 1250 VA
Nominal Coil Power	
1 Form A	: 0.20 W (approx)
1 Form C	: 0.45 W (approx)
Life Expectancy	
Electrical	: 10 <sup>5</sup> operations
Mechanical	: 10 <sup>7</sup> operations
Contact Resistance (Initial)	: 50 milli Ohms
Dielectric Strength	
Between Contact & Coil	: 2500 VRMS
Between Open Contacts	: 1000 VRMS
Insulation Resistance	: 100 MegaOhms at 500VDC, 25 <sup>0</sup> C, RH50
Operate time at Nominal Voltage	: 8 milli sec.(Typ)
Release time at Nominal Voltage	: 5 milli sec.(Typ)
Ambient Temperature	: -40 <sup>0</sup> C to +85 <sup>0</sup> C
Weight	: 6 gms (approx)

#### Typical applications

Home Appliances, Office Automation, Microwave Ovens, Audio Equipment Timers etc.

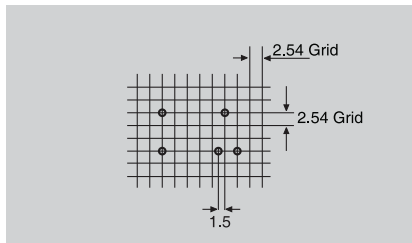
All dimensions are in mm. Specifications subject to change without notice. Tolerance unless otherwise specified is ± 10%.

### COIL DATA

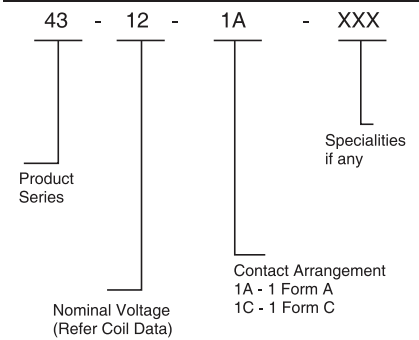
Nominal Voltage VDC	Pick-up Voltage VDC	Drop-out Voltage VDC	Coil Resistance Ohms ± 10%
12	9.0	1.2	720
12*	9.0	1.2	320
24	18	2.4	2880
24*	18	2.4	1280

\* For 1 Form C Relays

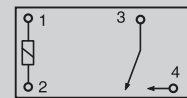
### DRILLING PATTERN



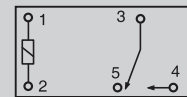
### HOW TO ORDER



### WIRING DIAGRAM



1 Form A



1 Form C

### DIMENSIONS

