

O/E/N 35H

HEAVY DUTY AUTOMOTIVE POWER RELAY

FEATURES

- Direct PCB mountable
- Suitable for various loads
- Miniature size
- Heavy duty

APPLICATION

- Direction indicators
- Air-conditioning systems
- Wiper controls
- Head lamp control
- Starter motors
- Ventilation motors

TECHNICAL DATA FOR CONTACT SIDE :

Model	: 35HA	35HB
Areas of Application	Resistive / Inductive Load	Head Lamp / Capacitive Load
Contact Configuration	: 1 Form A (1 NO)	1 Form A (1 NO)
Contact Material	: Silver Cadmium Oxide	Silver Tin Oxide
Contact Rating at 23°C -	12VDC : 40A (Res.)	40A (Lamp)
	24VDC : 20A (Res.)	20A (Lamp)
Electrical Life in No. of Operations Min.	: 1×10^5	1×10^5
Mechanical Life in No. of Operations Min.	: 1×10^7	1×10^7
Contact Voltage Drop at 10 A (Max.)	: 60mV	50mV
Maximum Switching Current		
@ 12.8 VDC For 3 Sec.	: 150A	150A

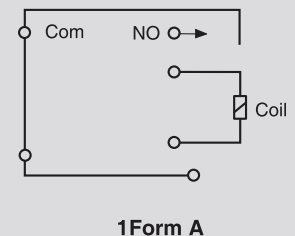
GENERAL DATA FOR COIL SIDE

Nominal Coil Power	: 1.63W (Approx)
Operate Time	: 15 milli Seconds (Typ)
Release Time	: 15 milli Seconds (Typ)

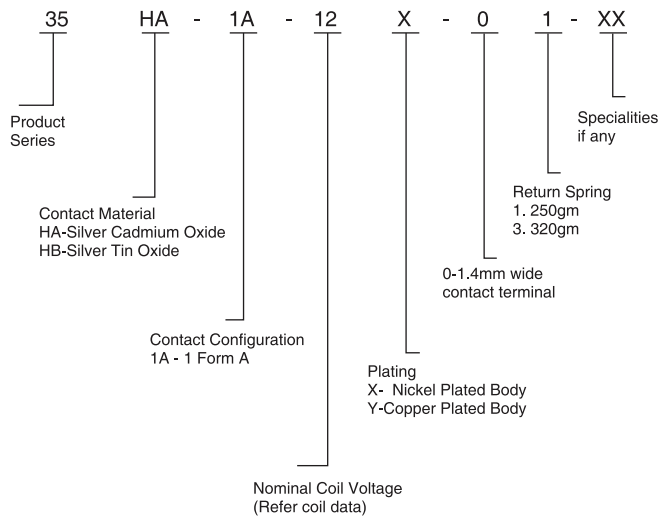
OPERATING CONDITIONS

Ambient Temperature	: -40°C to +85°C
Maximum Temperature	: 155°C
Dielectric Strength Between open contacts	: 500 VRMS
Insulation Resistance	: 100 MegaOhms Min. at 500 VDC, 25°C RH 50
Vibration Resistance	: 10-100Hz, 20 - 40g (Change in switching state not more than 10μS)
Shock Resistance	: 30g, 8mS (Change in switching state not more than 10μS)
Weight	: 25 gms Max.

WIRING DIAGRAM



HOW TO ORDER

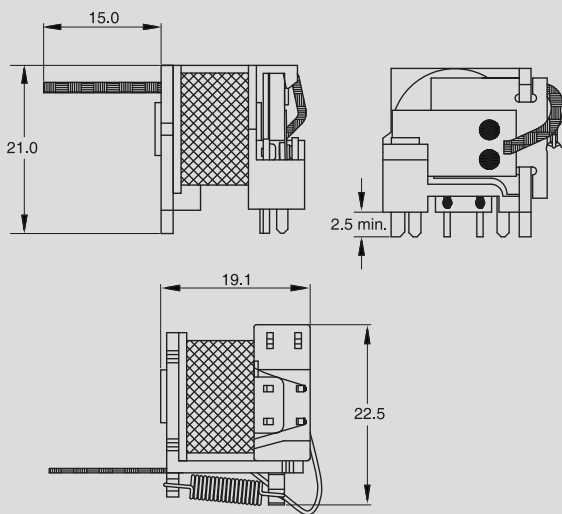


COIL DATA

Nominal Voltage VDC	*Pick-up Voltage VDC (Max)	Drop-out Voltage VDC (Min)	Coil Resistance Ohms ± 10%
6	5	0.6	35
9	7	0.9	55
12	9	1.2	88
18	14	1.8	260
24	18	2.4	400
48	36	4.8	1700

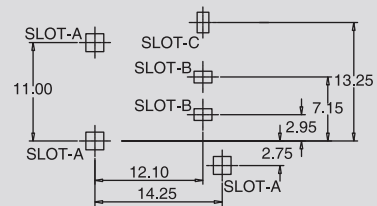
* Lower pick-up voltages available on request

DIMENSIONS



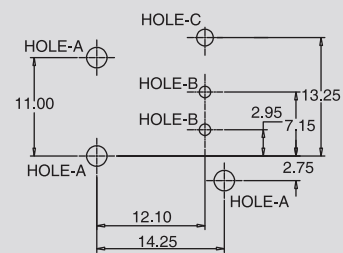
DRILLING PATTERN

PC Slot Layout



SLOT - A	SLOT - B	SLOT - C
SQ 2.0 ^{+0.1} _{-0.0}	SQ 1.3 ^{+0.1} _{-0.0}	1.3 ^{+0.1} _{-0.0} x 2.3 ^{+0.1} _{-0.0}

PC Hole Layout



HOLE - A	HOLE - B	HOLE - C
∅2.30 ^{+0.1} _{-0.0}	∅1.3±0.1	∅1.9±0.1

Note : General Tolerance : ±0.1

AVAILABLE ON REQUEST

- For other custom solutions consult factory