



O/E/N 92

DUAL HEAD LAMP RELAY

FEATURES

- Heavy duty
- Plug-in type

APPLICATION

- Head lamp

TECHNICAL DATA FOR CONTACT SIDE :

Areas of Application	Lamp
Contact Configuration	: 2 x 1 Form A (2 x 1 NO)
Contact Material	: Silver Tin Oxide
Contact Rating at 23°C - 13.5 VDC	: 30A
24 VDC	: 15A
Electrical Life in No. of Operations Min.	: 1×10^5
Mechanical Life in No. of Operations Min.	: 1×10^6
Contact Voltage Drop at 10 A (Max.)	: 100mV
Maximum Switching Current @ 13.5 VDC For 3 Sec.	: 150A

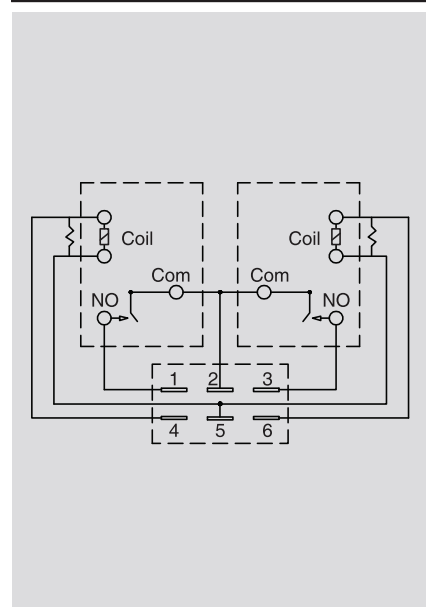
GENERAL DATA FOR COIL SIDE

Nominal Coil Power	: 1.64W (Approx)
Operate Time	: 15 milli Seconds (Typ)
Release Time	: 10 milli Seconds (Typ)

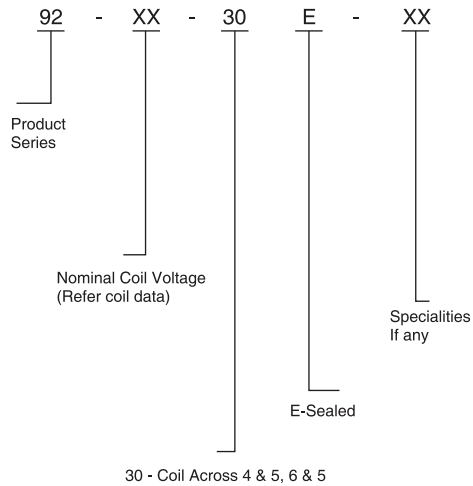
OPERATING CONDITIONS

Ambient Temperature	: -40°C to +85°C
Dielectric Strength	
Between open contacts	: 500 VRMS
Insulation Resistance	: 100 MegaOhms Min. at 500 VDC, 25°C RH 50
Vibration Resistance	: 10-100Hz, 20-40g (Change in switching state not more than 10µS)
Shock Resistance	: 30g, 8mS (Change in switching state not more than 10µS)
Weight	: 80 gms Max.

WIRING DIAGRAM



HOW TO ORDER

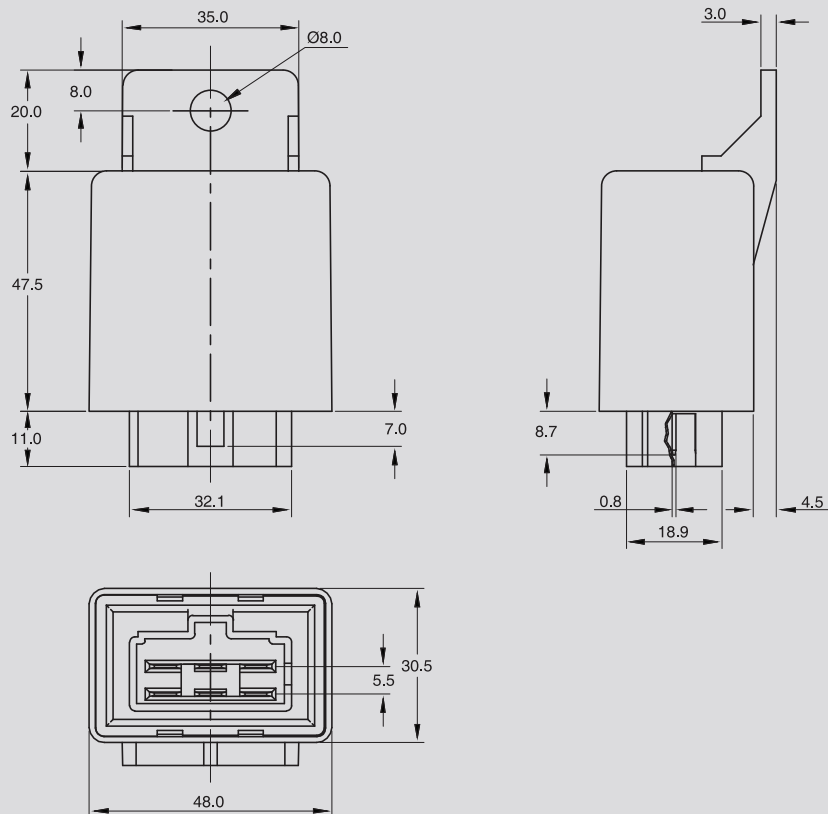


COIL DATA

Nominal Voltage VDC	* Pick-up Voltage VDC Max	Drop-out Voltage VDC Min	Coil Resistance Ohms ± 10%
12	9	1.2	88
24	18	2.4	400

*Lower pick-up voltages available on request

DIMENSIONS



AVAILABLE ON REQUEST

- For custom solutions consult factory