



# O/E/N 85

## MINIATURE POWER RELAYS



- Lockable Test Button (optional)
- Mechanical Flag Indication
- LED / Free Wheeling Diode / Polarity Protection diode (available on request)
- Space saving Din Rail mounting Sockets - 16mm width
- UL Approved (E209843)
- Flange Mounting version available
- Comply to IEC 60255-5

### SPECIFICATIONS

Contact Arrangement	: 1 Form C (S & K Type), 2 Form C (S & K Type)
Contact Material	: Silver Alloy
Contact Rating	
Rated Voltage	: 230 VAC/30 VDC
Max. Switching Voltage	: 440 VAC/220 VDC
Max. Continuous Current at 230 VAC/30 VDC	
1 Form C (S)	: 10 A
1 Form C (K)	: 16 A
2 Form C (S)	: 5 A
2 Form C (K)	: 8 A
Max. Power Rating	
1 Form C (S)	: 2500 VA
1 Form C (K)	: 4000 VA
2 Form C	: 2000 VA
Nominal Coil Power	: 0.48 W (approx)
Life Expectancy	
Electrical	: 10 <sup>5</sup> operations
Mechanical	: 2x10 <sup>6</sup> operations (For DC Relay)
	: 10 <sup>6</sup> operations (For AC Relay)
Contact Resistance (Initial)	: 100 milli. Ohms
Dielectric Strength	
Between Contact & Coil	: 5000 VRMS
Between Open Contacts	: 1000 VRMS
Insulation Resistance	: 3000 MegaOhms at 500 VDC 25 <sup>0</sup> C, RH50
Operate time at Nominal Voltage	: 15 milli sec. (Typ)
Release time at Nominal Voltage	: 15 milli sec. (Typ)
	: 20 milli sec. (With diode)
Ambient Temperature	: -40 <sup>0</sup> C to + 70 <sup>0</sup> C
Weight	: 21 gms (approx)

#### Typical applications

Contact Multiplying Relays, Control Panel Machine Tools, Automation etc.

**Note :** In case of Relay with clamping diode, take terminal 5 as negative

All dimensions are in mm. Specifications subject to change without notice. Tolerance unless otherwise specified is ± 10%.

### COIL DATA

Nominal Voltage V	Pick-up Voltage V	Drop-out Voltage V	Coil Resistance Ohms ± 10%
-------------------	-------------------	--------------------	----------------------------

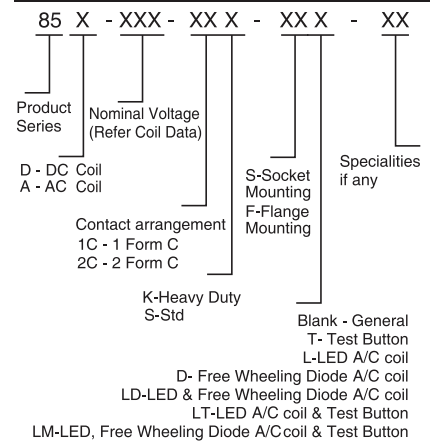
#### DC COIL DATA

12	9.6	1.2	300
24	19.2	2.4	1200
48	38.4	4.8	4800
110	88.0	11.0	23500
125	100.0	12.5	32500

#### AC COIL DATA

12	9.6	1.2	80
24	19.2	2.4	320
48	38.4	4.8	1350
110	88.0	11.0	6900
230	184.0	23.0	28000

### HOW TO ORDER



#### Note:

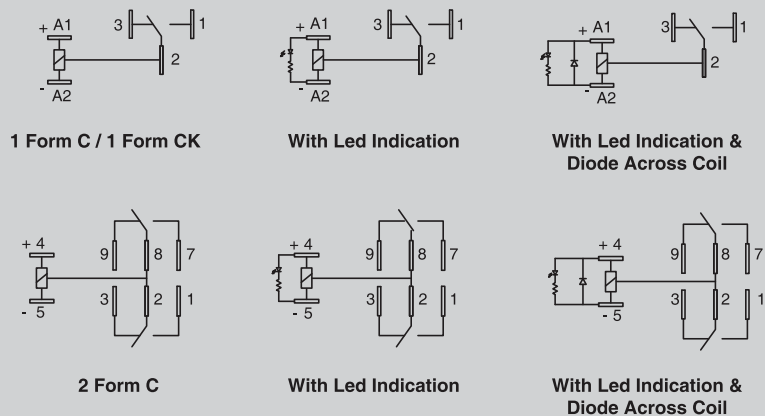
1. For relays with LED / Free Wheeling Diode across coil refer to resp. circuit / wiring diagram of relay / socket.
2. Flange mounting relays do not have optional features LED/Free Wheeling Diode/Test button.

### SOCKET ORDERING CODE

#### Din rail mounting type

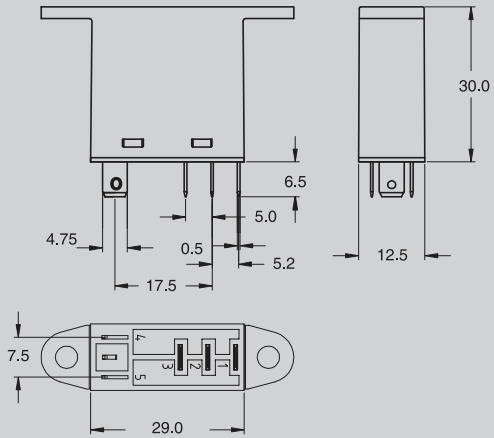
1 Form C / 1 Form CK	85-4900-100
2 Form C	85-4900-200

### WIRING DIAGRAM

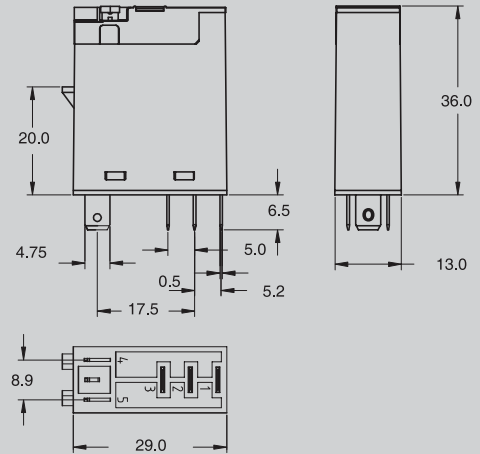


# DIMENSIONS

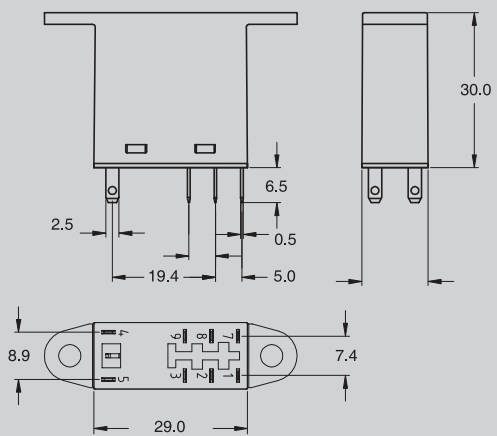
**1 Form C (Flange Mounting)**



**1 Form C (Socket Mounting)**



**2 Form C (Flange Mounting)**



**2 Form C (Socket Mounting)**

