



O/E/N 78

AUTOMOTIVE POWER RELAY

FEATURES

- High performance
- Small size
- Light weight
- Enclosed
- Rubber boot & coupler available

APPLICATION

- Starter motor
- Defogger
- Radiator fan
- A/C Controls

TECHNICAL DATA FOR CONTACT SIDE :

Areas of Application	Resistive / Inductive Load
Contact Configuration	: 1 Form A (1 NO)
Contact Material	: Silver Alloy
Contact Rating at 23°C - 12VDC	: 22A
24VDC	: 15A
Electrical Life in No. of Operations Min.	: 6×10^5
Mechanical Life in No. of Operations Min.	: 1×10^6
Contact Voltage Drop at 22 A (Max.)	: 200mV
Maximum Switching Current @ 12.8 VDC For 3 Sec.	: 200A

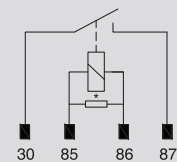
GENERAL DATA FOR COIL SIDE

Nominal Coil Power	: 1.44W (Approx)
Operate Time	: 10 milli Seconds
Release Time	: 5 milli Seconds

OPERATING CONDITIONS

Ambient Temperature	: -30°C to +100°C
Maximum Temperature	: 155°C
Dielectric Strength Between open contacts	: 500 VRMS
Insulation Resistance	: 100 MegaOhms Min. at 500 VDC, 25°C RH 50
Vibration Resistance	: 10-500Hz, 20g (Change in switching state not more than 10µS)
Shock Resistance	: 20g, 8mS (Change in switching state not more than 10µS)
Weight	: 50 gms Max.

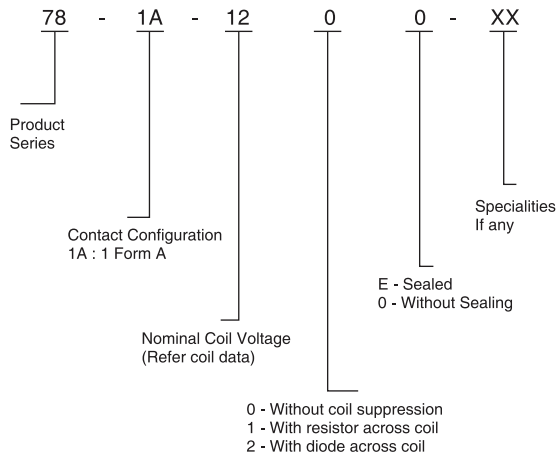
WIRING DIAGRAM



1 Form A

* Parallel resistor or diode optional

HOW TO ORDER

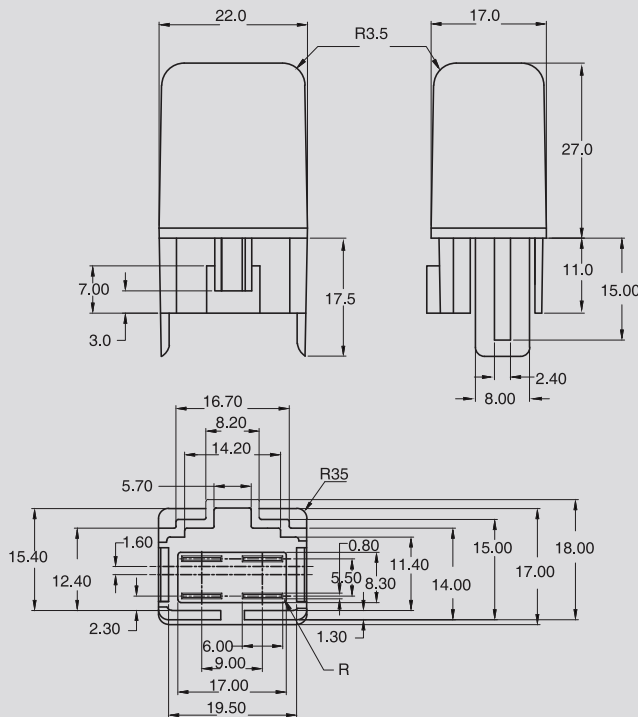


COIL DATA

Nominal Voltage VDC	**Pick-up Voltage VDC (Max)	Drop-out Voltage (Min)	Coil Resistance at 20°C Ohms ± 10%
12	7.2	1.2	100
24	14.8	2.4	320

**Lower pick-up voltages available on request

DIMENSIONS



MECHANICAL DATA

COVER RETENTION

Pull : 20KgF
Push : 20KgF

TERMINAL STRENGTH

Pull : 10KgF
Push : 10KgF
Plug-in Force : 12.25KgF
Removal Force : 11.35KgF

AVAILABLE ON REQUEST

- For other custom solutions consult factory