



O/E/N 61A

AUTOMOTIVE POWER RELAY

FEATURES

- High performance
- Direct PCB mountable
- Sealed
- Small size
- Heavy duty

APPLICATION

- Power door locks
- Ventilation motors
- Body controls
- Security systems
- Seat controls

TECHNICAL DATA FOR CONTACT SIDE :

Areas of Application	Resistive / Inductive Load
Contact Configuration	: 1 Form A (1 NO), 1 Form C (1 CO)
Contact Material	: Silver Alloy
Contact Rating at 23°C - 12 VDC	: 20A/10A
Electrical Life in No. of Operations Min.	: 1×10^5
Mechanical Life in No. of Operations Min.	: 1×10^6
Contact Voltage Drop at 10 A (Max.)	: 30mV
Maximum Switching Current @ 12.8 VDC For 3 Sec.	: 50A

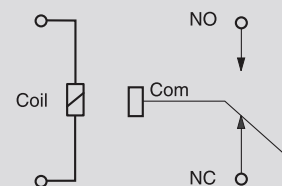
GENERAL DATA FOR COIL SIDE

Nominal Coil Power	: 0.80W (Approx)
Operate Time	: 10 milli Seconds (Typ)
Release Time	: 10 milli Seconds (Typ)

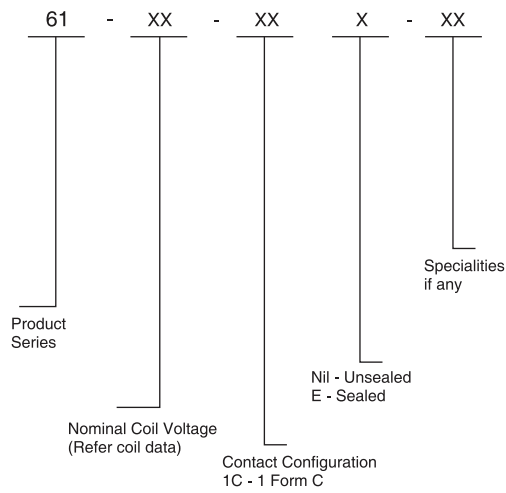
OPERATING CONDITIONS

Ambient Temperature	: -40°C to +85°C
Maximum Temperature	: 125°C
Dielectric Strength	
Between open contacts	: 500 VRMS
Insulation Resistance	: 100 MegaOhms Min. at 500 VDC, 25°C RH 50
Vibration Resistance	: 10-50Hz, 5g (Change in switching state not more than 10μS)
Shock Resistance (without change)	: 20g, 6mS (Change in switching state not more than 10μS)
Weight	: 12 gms Max.

WIRING DIAGRAM



HOW TO ORDER

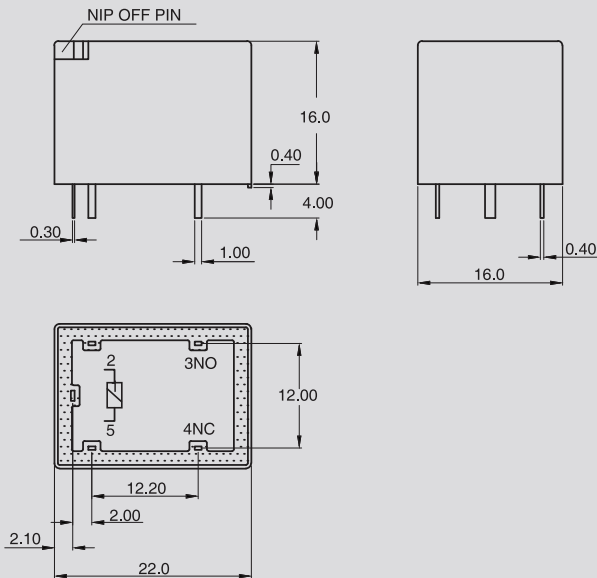


COIL DATA

Nominal Voltage VDC	*Pick-up Voltage VDC (Max)	Drop-out Voltage VDC (Min)	Coil Resistance Ohms \pm 10%
6	4.5	0.6	100
12	8	1.2	180
12	8	1.2	225
24	19	2.4	1600

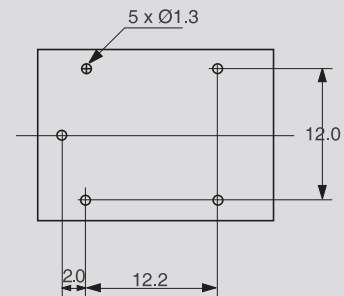
*Lower pick-up voltages available on request

DIMENSIONS



Note : Nip - off pin may be removed after soldering and cleaning for ventilation.

DRILLING PATTERN



AVAILABLE ON REQUEST

- For custom solutions consult factory