



# O/E/N 50

## LOW PROFILE AUTOMOTIVE POWER RELAY

### FEATURES

- Miniature power relay
- Limiting continuous current upto 30A
- Minimal weight
- IP67 Sealed

### APPLICATION

- Door controls
- Immobilizer
- Seat control
- Window lifter
- Wiper control
- Hazard warning signal
- Turn Signal
- Interior Lights

### TECHNICAL DATA FOR CONTACT SIDE :

Areas of Application	Resistive / Inductive Load			
Contact Configuration	: 1 Form A (1 NO), 1 Form C (1 CO)			
Contact Material	: Silver Alloy			
Contact Rating at 23°C - 12VDC	: 30A/25A*			
85°C - 12VDC	: 20A/15A			
Electrical Life in No. of Operations Min.	: Motor reverse blocked, 25A, 0.77 mH	: Wiper, 25A make/5A break, generator Peak, 20A on NC, 1mH	: Lamp 100A inrush, 10A steady state	: Resistive 20A
	>1x10 <sup>5</sup>	>1x10 <sup>6</sup>	>1x10 <sup>5</sup>	>3x10 <sup>5</sup>
Mechanical Life in No. of Operations Min.	: 5 x 10 <sup>6</sup>			
Contact Voltage Drop at 10 A (Max.)	: 30mV			
Maximum Switching Current @ 13.5 VDC for 3 Sec	: 40A			

\*Continuous carrying for 1 hr. and minimum switching 100 cycles

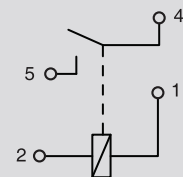
### GENERAL DATA FOR COIL SIDE

Nominal Coil Power	: 0.56W (Approx)
Operate Time	: 10 milli Seconds (Typ)
Release Time	: 10 milli Seconds (Typ)

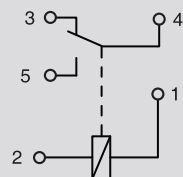
### OPERATING CONDITIONS

Ambient Temperature	: -30°C to +105°C
Dielectric Strength	
Between open contacts	: 500 VRMS
Insulation Resistance	: 100 MegaOhms Min. at 500 VDC, 25°C RH 50
Vibration Resistance	: 10 - 100Hz, 4.4g (Change in switching state not more than 10µS)
Shock Resistance	: 10g, 11mS (Change in switching state not more than 10µS)
Weight	: 5 gms Max.

### WIRING DIAGRAM

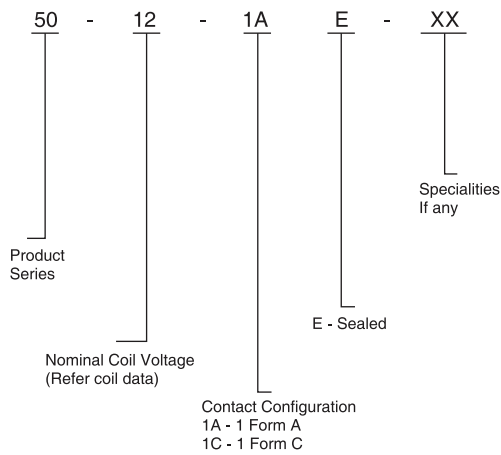


1Form A



1Form C

## HOW TO ORDER

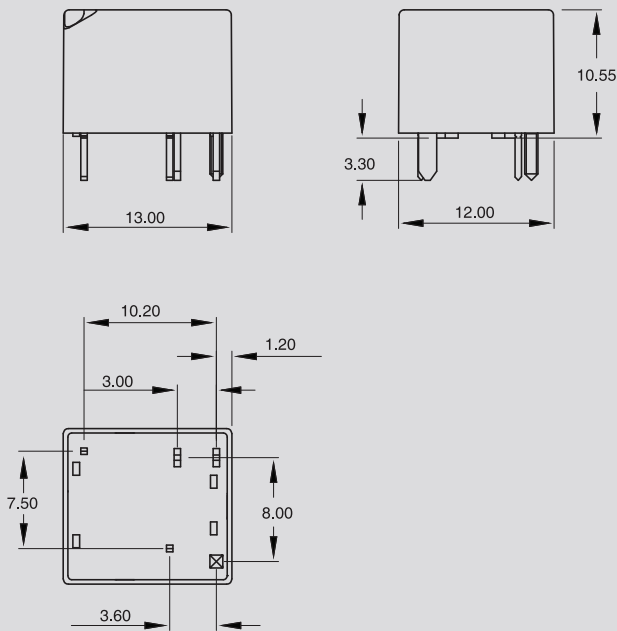


## COIL DATA

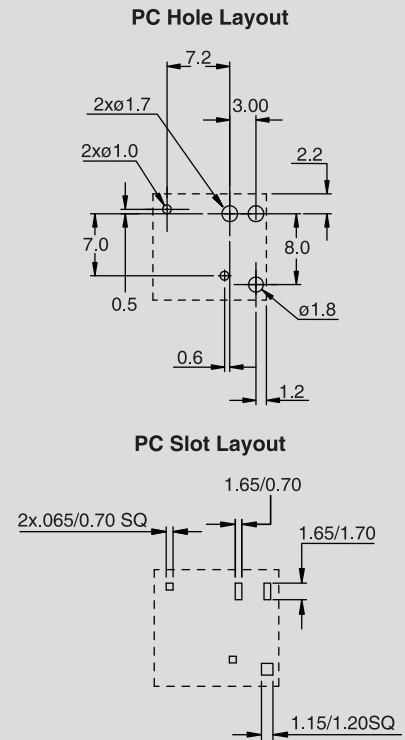
Nominal Voltage V DC	**Pick Up Voltage V DC (Max)	Drop-Out Voltage V DC (Min)	Coil Resistance Ohms $\pm 10\%$
12	7.2	1.5	254

\*\*Lower pick-up voltages available on request

## DIMENSIONS



## DRILLING PATTERN



**AVAILABLE ON REQUEST**

- For custom solutions consult factory