

O/E/N 42 PIGMY RELAY

- International Standard Foot Print
- High Sensitivity
- Small Size
- Light Weight
- Sealed

SPECIFICATIONS

| | |
|---|---|
| Contact Arrangement | : 1 Form C |
| Contact Material | : Silver Alloy |
| Contact Rating | |
| Rated Voltage | : 125 VAC/24 VDC |
| Max. Switching Voltage | : 240 VAC/30 VDC |
| Max. Continuous Current at 125 VAC/24 VDC | : 1 A |
| Max. Power Rating | : 240 VA |
| Nominal Coil Power | : 0.20 W (approx) |
| Life Expectancy | |
| Electrical | : 10 ⁵ operations |
| Mechanical | : 10 ⁷ operations |
| Contact Resistance (Initial) | : 50 milli Ohms |
| Dielectric Strength | |
| Between Contact & Coil | : 1000 VRMS |
| Between Open Contacts | : 500 VRMS |
| Insulation Resistance | : 100 MegaOhms at 500VDC, 25 ⁰ C, RH50 |
| Operate time at Nominal Voltage | : 10 milli sec.(Typ) |
| Release time at Nominal Voltage | : 5 milli sec.(Typ) |
| Ambient Temperature | : -40 ⁰ C to +85 ⁰ C |
| Weight | : 3.5 gms (approx) |

Typical applications

Telecommunication Equipments, Electrical Appliances, Remote Control, Toys etc.

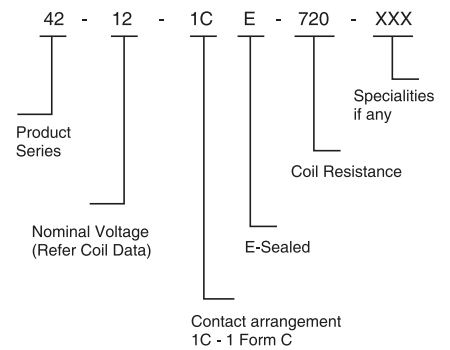
All dimensions are in mm. Specifications subject to change without notice. Tolerance unless otherwise specified is ± 10%

COIL DATA

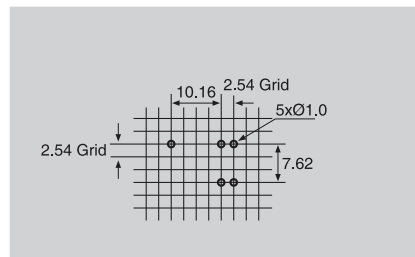
| Nominal Voltage VDC | Pick-up Voltage VDC | Drop-out Voltage VDC | Coil Resistance Ohms ± 10% |
|---------------------|---------------------|----------------------|----------------------------|
| 12 | 9.0 | 1.2 | 720 |
| 24 | 18.0 | 2.4 | 2880 |

6VDC Coil Available on request

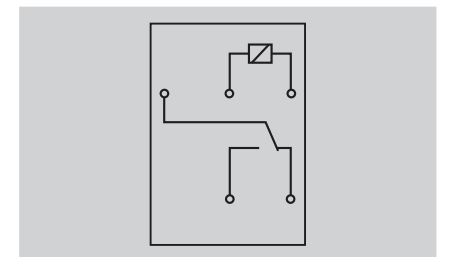
HOW TO ORDER



DRILLING PATTERN



WIRING DIAGRAM



DIMENSIONS

