



O/E/N 35HT

HEAVY DUTY AUTOMOTIVE POWER RELAY

FEATURES

- Direct PCB mountable
- High performance
- Heavy duty
- Extra braided wire

APPLICATION

- Glow plug timer
- Heating elements

TECHNICAL DATA FOR CONTACT SIDE :

Areas of Application	Resistive / Inductive Load
Contact Configuration	: 1 Form A (1 NO)
Contact Material	: Silver Alloy
Contact Rating	
Continuous	: 1) 50A glow plug load at 12VDC (Coil voltage = 13.2VDC at 85°C) for 500Hrs. 2) 70A glow plug load at 12 VDC (Coil voltage = 13.2 VDC at 23°C) for 500Hrs.
Switching	: 70A at 13.5 VDC (glow plug load) for 50000 cycles with 1 Sec. ON, 35 Sec. OFF.
Electrical Life in No. of Operations Min.	: 5×10^4
Mechanical Life in No. of Operations Min.	: 1×10^7
Contact Voltage Drop at 10 A (Max.)	: 50mV
Maximum Switching Current	
@ 12.8 VDC For 3 Sec.	: Make - 300A / Break - 70A (Make & Break Ratio of 1:10)

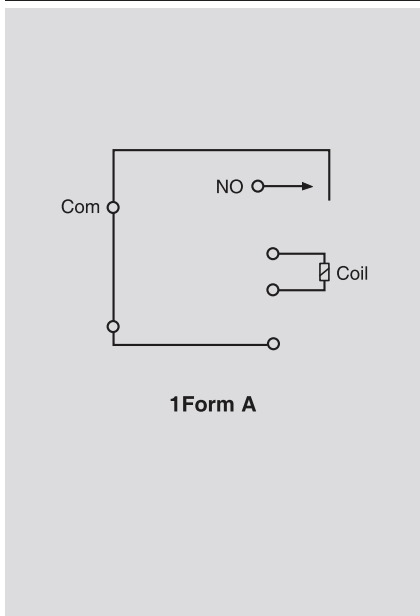
GENERAL DATA FOR COIL SIDE

Nominal Coil Power	: 2.25W (Approx)
Operate Time	: 10 milli Seconds (Typ)
Release Time	: 5 milli Seconds (Typ)

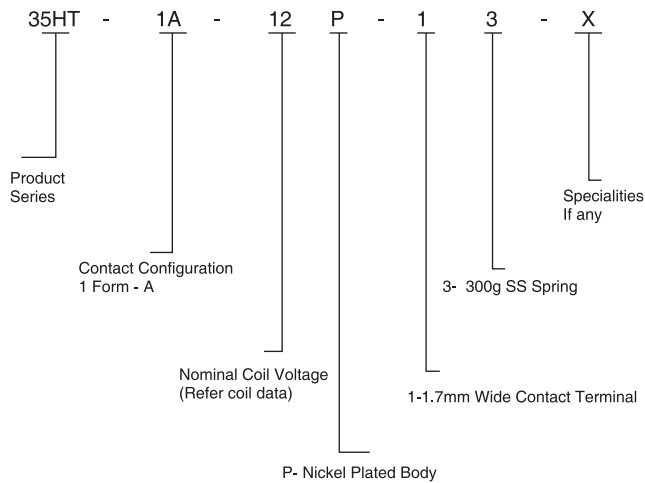
OPERATING CONDITIONS

Ambient Temperature	: -40°C to +85°C
Maximum Temperature	: 155°C
Dielectric Strength	
Between open contacts	: 500 VRMS
Insulation Resistance	: 100 MegaOhms Min. at 500 VDC, 25°C RH 50
Vibration Resistance	: 10-55Hz, 20g - 40g (Change in switching state not more than 10µS) Displacement 0.75mm
Shock Resistance	: 30g, 11mS (Change in switching state not more than 10µS)
Weight	: 25 gms Max.

WIRING DIAGRAM



HOW TO ORDER

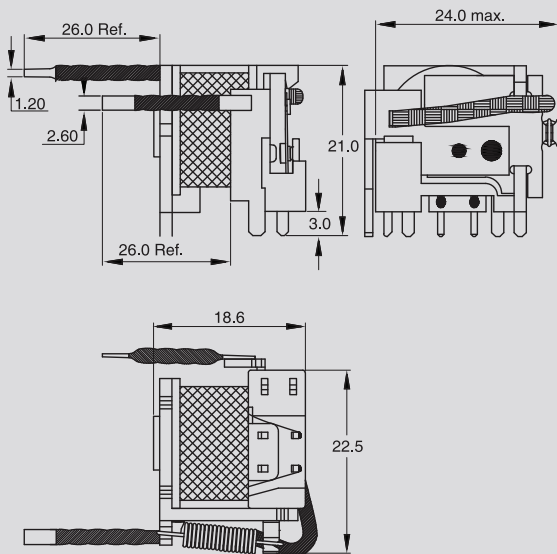


COIL DATA

Nominal Voltage VDC	*Pick-up Voltage VDC (Max)	Drop out Voltage VDC (Min)	Coil Resistance at 20° C Ohms ± 10%
12	7.2	2.4	64

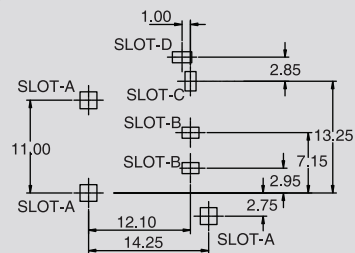
*Lower pick-up voltages available on request

DIMENSIONS



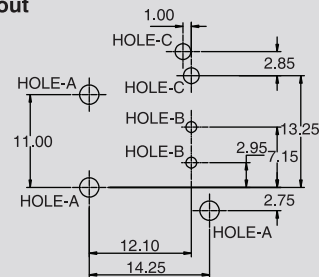
DRILLING PATTERN

PC Slot Layout



SLOT - A	SLOT - B	SLOT - C	SLOT - D
SQ 2.0 ^{+0.1} _{-0.0}	SQ 1.3 ^{+0.1} _{-0.0}	1.3 ^{+0.1} _{-0.0} x 2.3 ^{+0.1} _{-0.0}	2.3 ^{+0.1} _{-0.0} x 1.3 ^{+0.1} _{-0.0}

PC Hole Layout



HOLE - A	HOLE - B	HOLE - C
∅2.30 ^{+0.1} _{-0.0}	∅1.3±0.1	∅2.1±0.1

Note : General Tolerance : ±0.1

AVAILABLE ON REQUEST

- For other custom solutions consult factory